

Three-way solid rubber connector self-closing lid

French/Belgian standard

1473597






General information

Item number	1473597
Model	Three-way solid rubber connector self-closing lid
Colour	black
Shutter	With shutter

Electrical parameters

Amperage	16A
Voltage	250V
Poles	2P + PE

Standards/Directives

According to	NF C61-314 / NBN C61-112
Standard	French/Belgian standard
Certification marks	  

Operating conditions

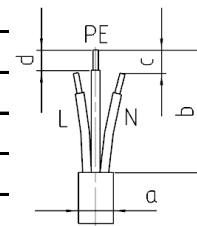
Storage temperature	-25°C to +70°C
Operating temperature	-25°C to +40°C
Relative humidity	5 to 95%, no condensation
Degree of protection	IP44

Materials

Contact Carrier	Rubber
Housing	Rubber

Connecting cable

Cross section	3x1,0mm ² -3x2,5mm ²
Cable diameter, dimension a	6-12mm
Insulation strip length sheath, dimension b	50-60mm
Trim L/N, dimension c	0mm
Insulation strip length cores, dimension d	8-10mm



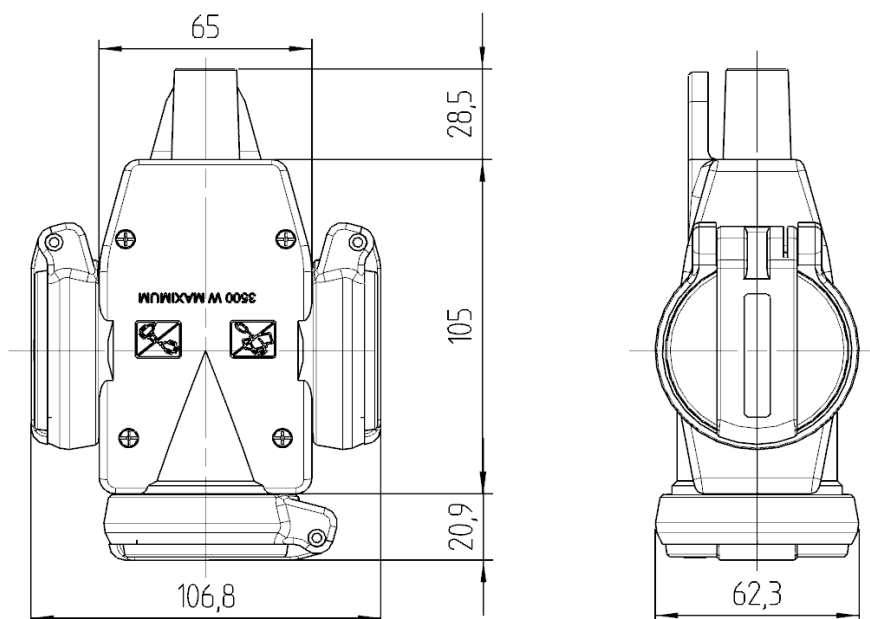
Connection screws

Max. torque for screws L-N/PE	0,8Nm
Screw drive L-N/PE	Combined slot/PZ2
Max. torque for screws housing	0,5 Nm
Screw drive housing	Combined slot/PZ1
Max. torque for screws strain relief	0,5 Nm
Screw drive strain relief	Combined slot/PZ1

Additional technical information

Turn strain relief clamp	for wire diameter less than 8,5mm
--------------------------	-----------------------------------

Subject to modifications



If the application requires extended specifications, we recommend to test the application under real or simulated conditions. Parameters like duration, quantity and temperature will effect the result significantly